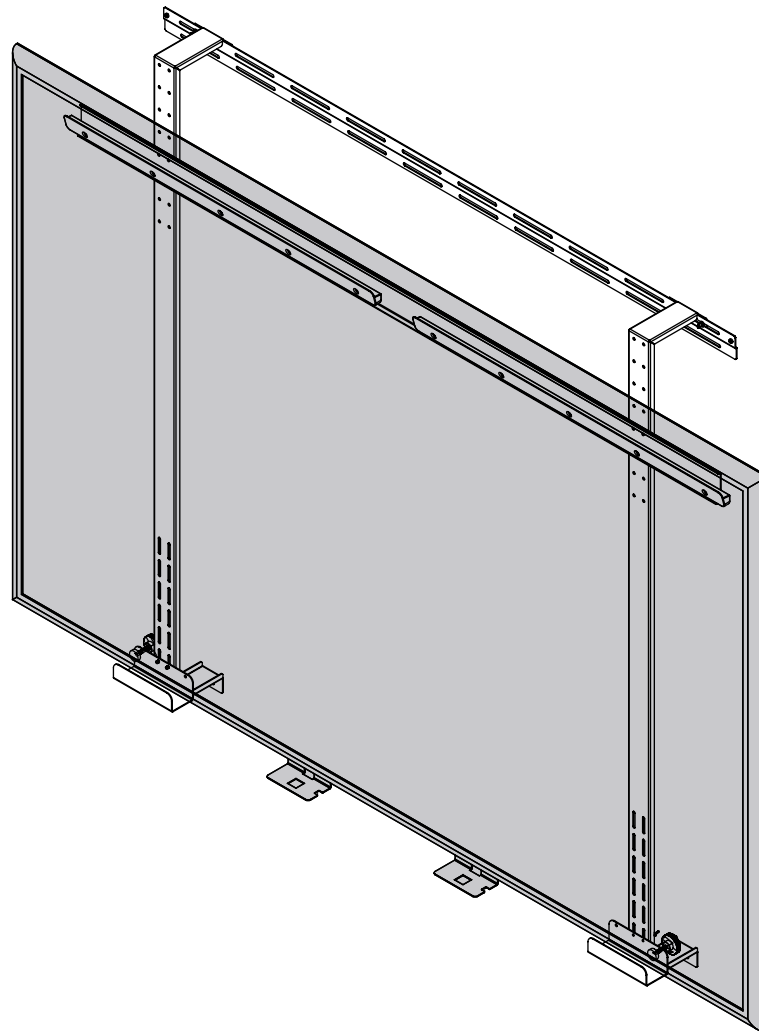




Installation and Assembly: Wall Mount for SMARTboard SB685/SB690

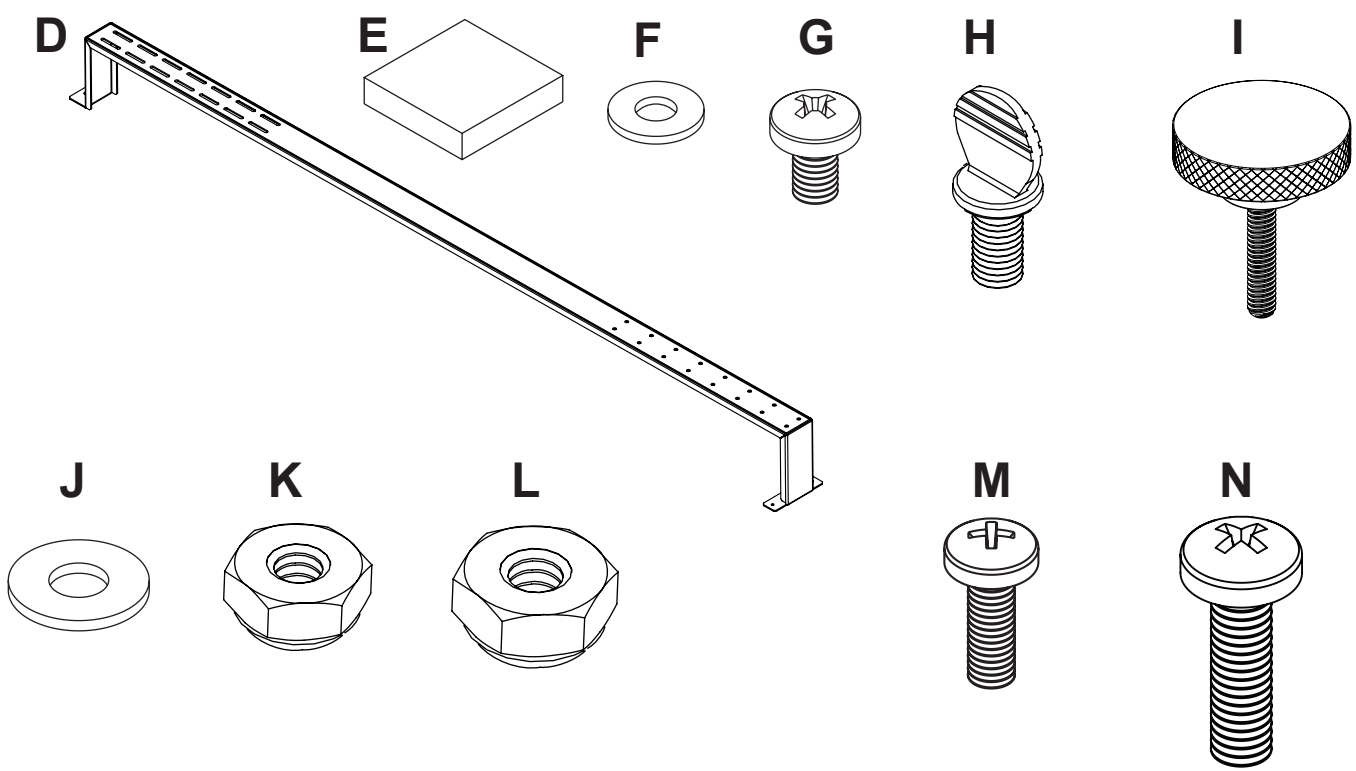
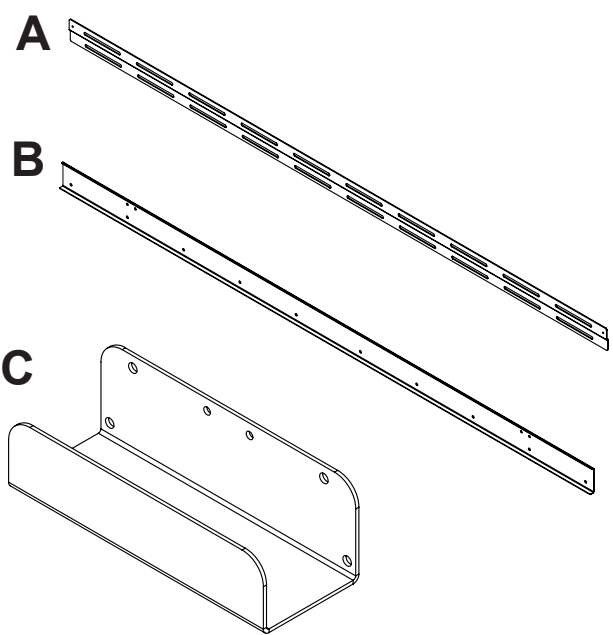
Model: IWB600-WB



Max Load Capacity: 50 lb (22.6 kg)

PARTS LIST

Description	Qty.	Part #
A wall plate	1	095-4652
B upper cross support	1	095-4962
C support bracket	2	095-4667
D vertical support	2	095-4666
E rubber bumper	2	590-1159
F #10 washer	2	540-9442
G M4 x 6 mm phillips screw	2	520-2032
H #10-32 x 3/8 thumb screw	6	560-2107
I knob	2	560-0223
J 1/4 washer	6	540-9444
K M4 nylock nut	4	530-1055
L M5 nylock nut	8	530-1019
M M4 x 8 mm phillips screw	4	520-2237
N M5 x 20 mm phillips screw	8	510-1208



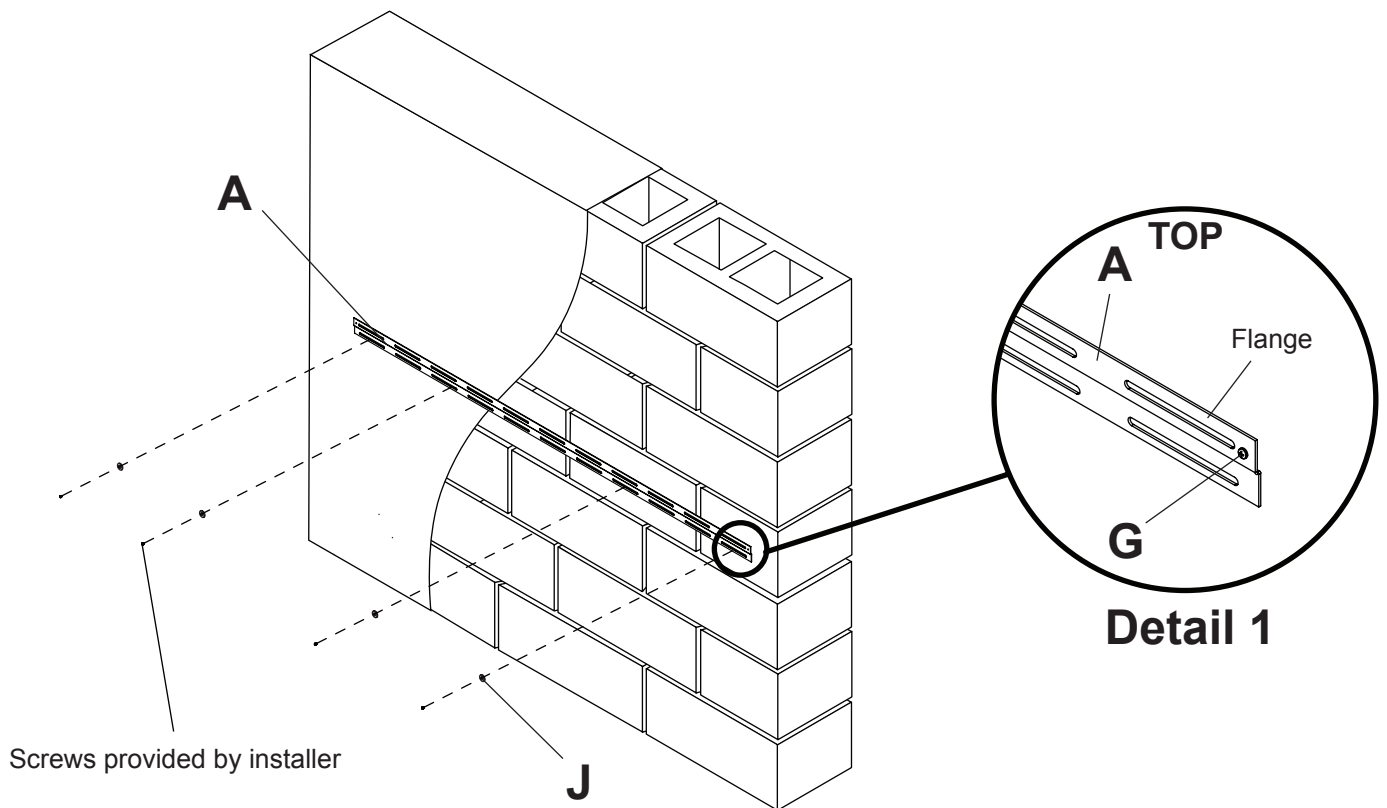
⚠ WARNING

- Installer must verify that the supporting surface will safely support the combined load of the equipment and all attached hardware and components.

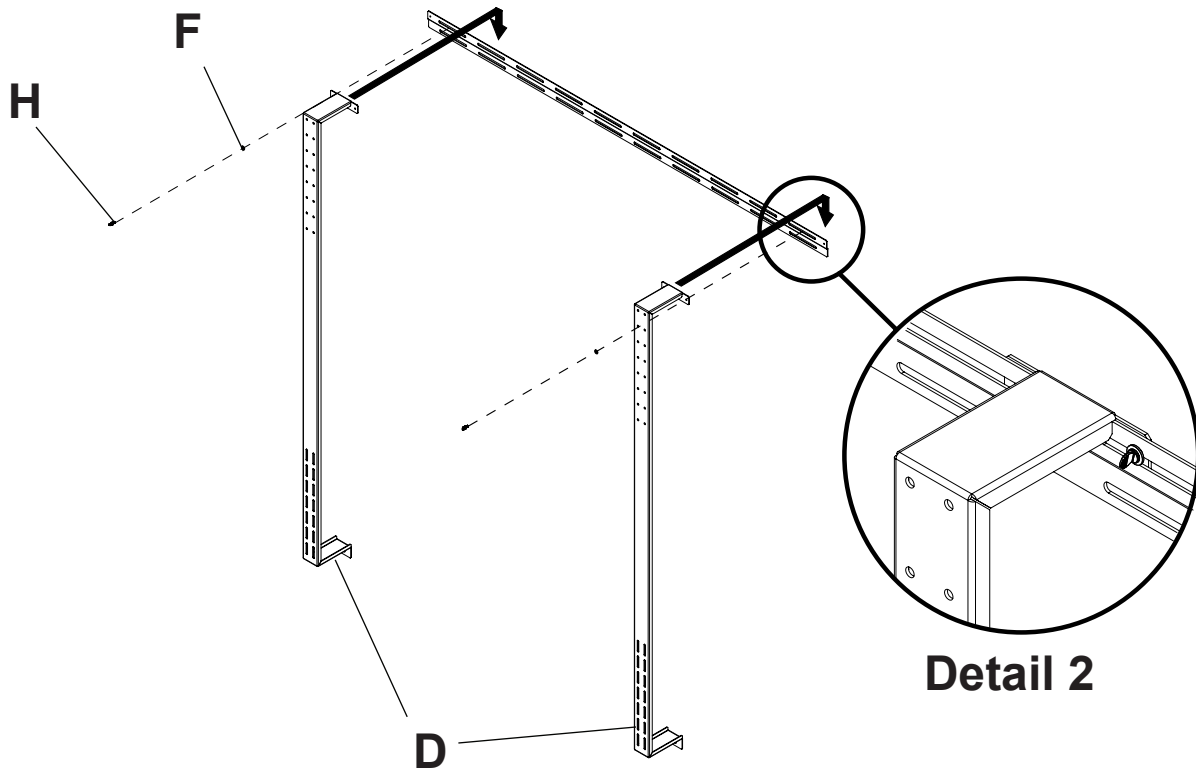
1 **NOTE:** Make sure flange of wall bracket is located on top as shown in detail 1. Be sure wall bracket (A) is level and in desired position. Then use wall bracket (A) as a template to mark center of four mounting holes. Drill four mounting holes. Attach wall bracket (A) to mounting surface using four screws provided by installer and four 1/4 washers (J) if required. Once secure, wall bracket (A) will be flush with the top of the vertical bracket (D).

Fasten two M4 x 6 mm phillips screws (G) into ends of wall bracket (A) as shown in Detail 1.

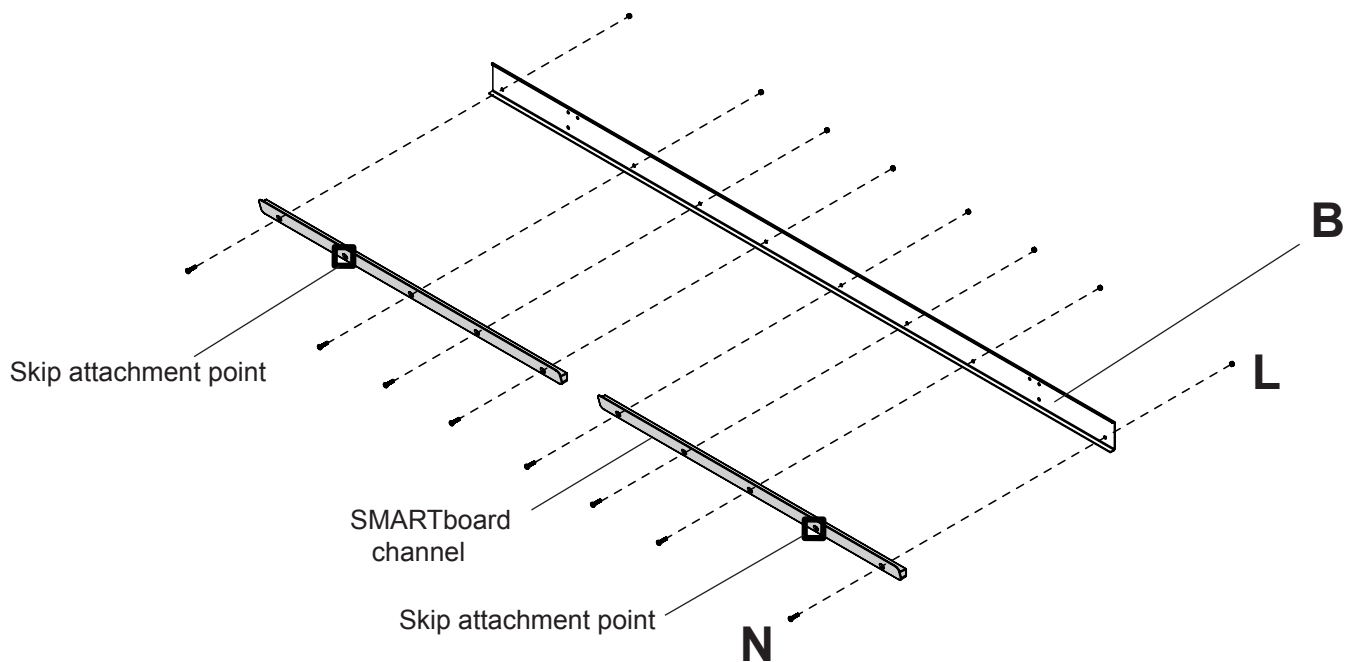
NOTE: Vertical brackets (D) may be used to determine location of wall bracket (A).



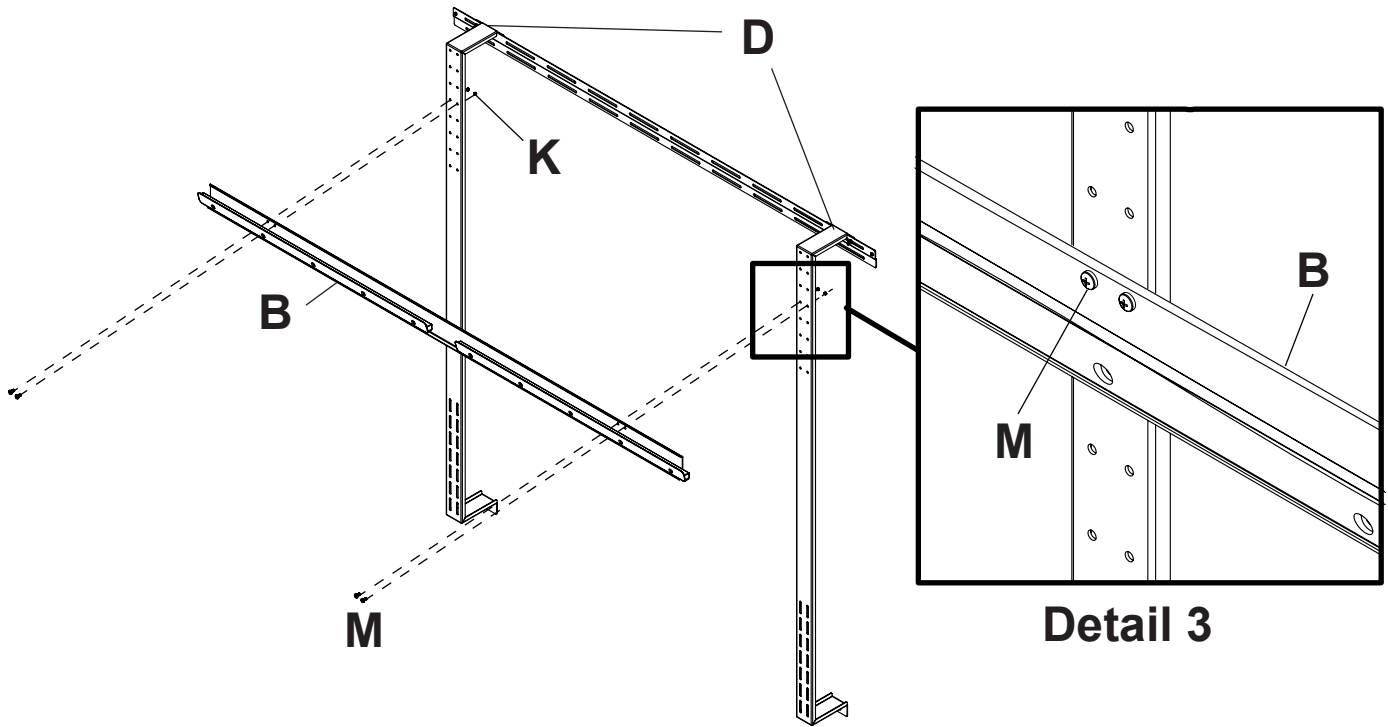
- 2** Secure Vertical brackets (D) to wall bracket (A) using two #10-32 x 3/8 thumb screws (H) and #10 flat washers (F).



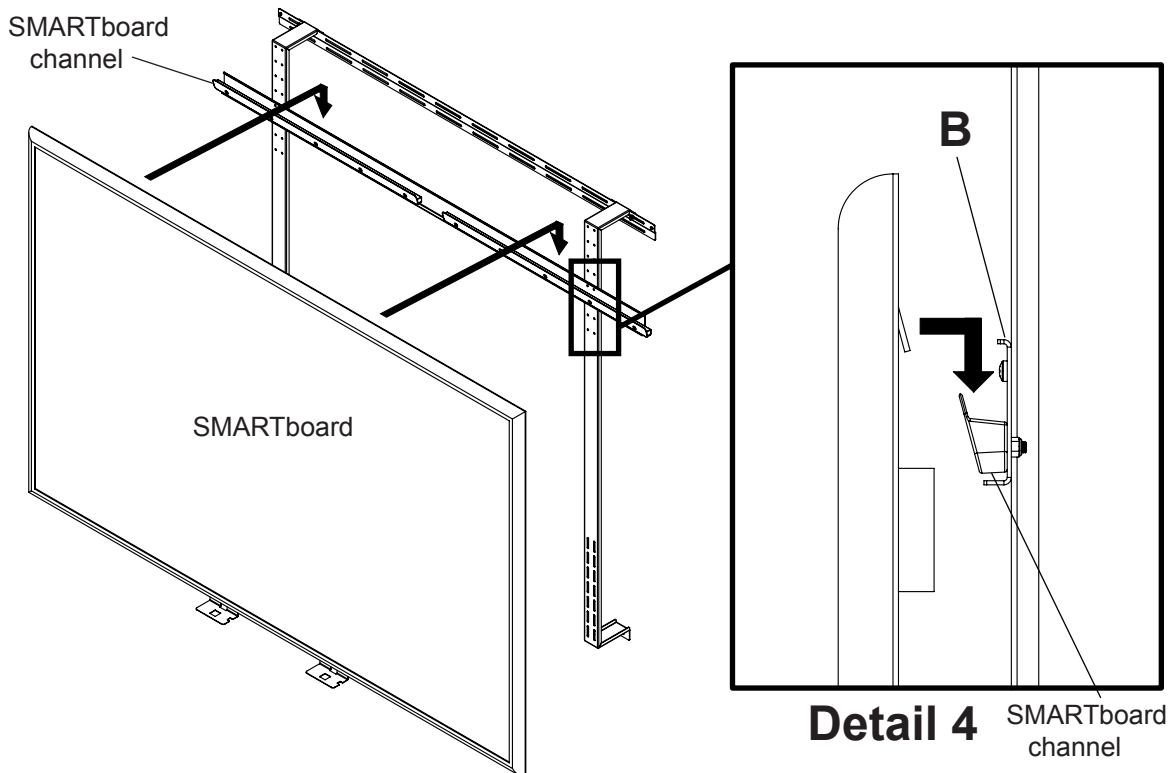
- 3** Secure SMARTboard channel to upper cross support (B) using eight M5 x 20 mm phillips screws (N) and eight M5 nylock nuts (L).
NOTE: Make sure to skip attachment point as shown below.



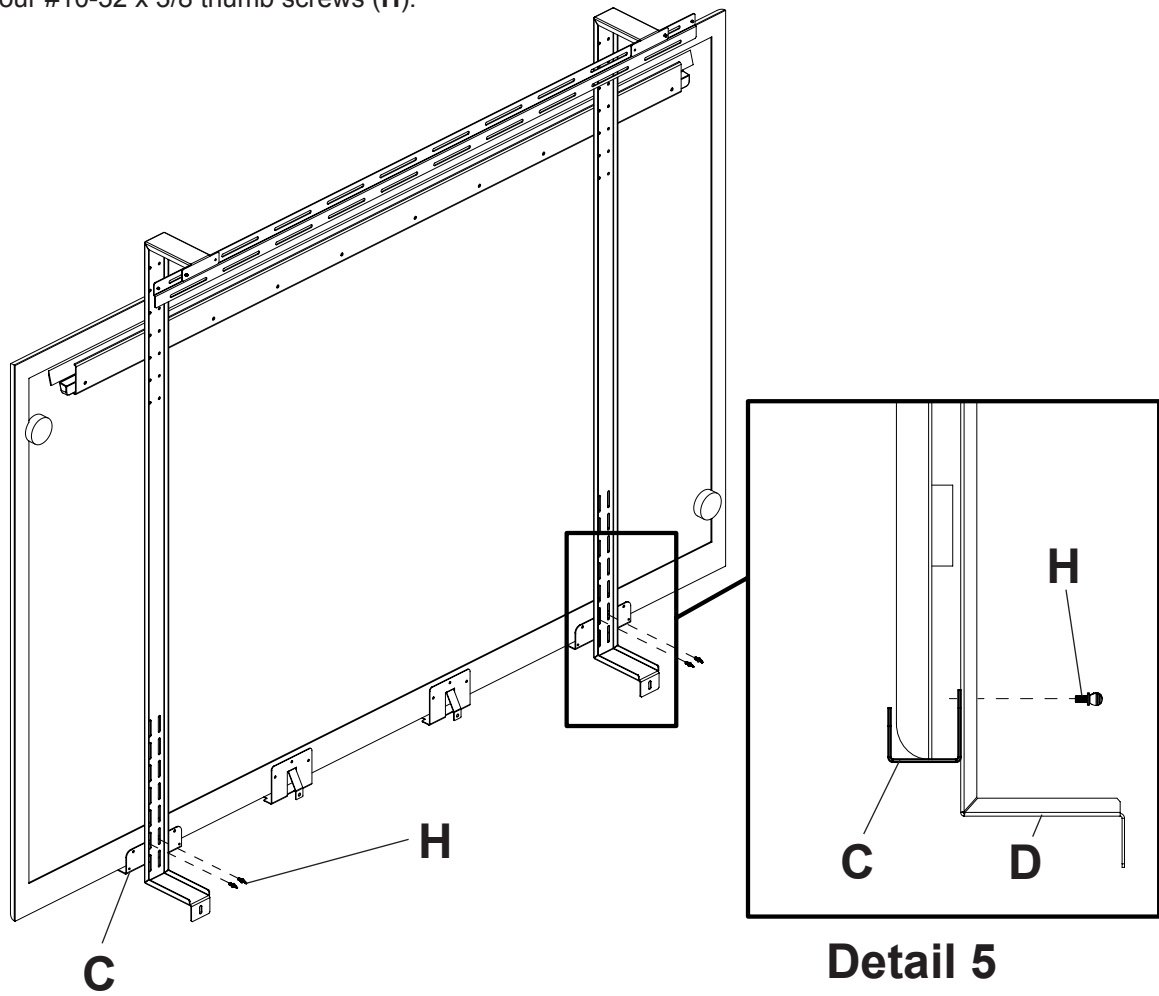
- 4** Secure upper cross support (**B**) to vertical supports (**D**) using four M4 x 8 mm phillips screws (**M**), and M4 nylock nuts (**K**).



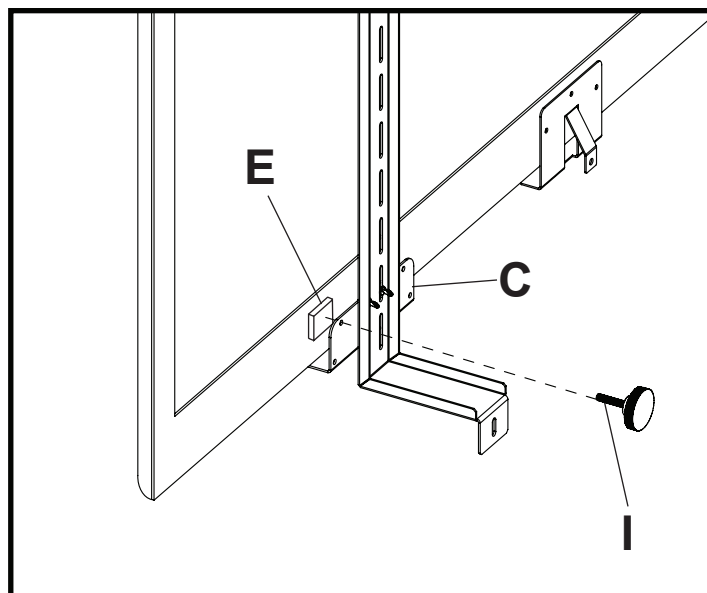
- 5** Hook SMARTboard into SMARTboard channel on upper cross support (**B**).



- 6** Fasten two support brackets (**C**) to vertical supports (**D**) using four #10-32 x 3/8 thumb screws (**H**). Slide support brackets (**C**) up until bottom of SMARTboard rests on support as shown in detail 5. Tighten four #10-32 x 3/8 thumb screws (**H**).



- 7** Fasten knob (**I**) through outside hole in support bracket (**C**) to determine rubber bumper (**E**) placement. Secure rubber bumper (**E**) to board. Repeat on opposite side of board.



- 8** Secure bottom of vertical supports (**D**) to mounting surface using two screws provided by installer, and 1/4 washers (**J**) if required.

NOTE: Make sure mounting surface is suitable to hold the weight of the mount and smart board.

